



Public Solar Shower

Ref. Public



anti-vandal shower head



thermostatic mixer



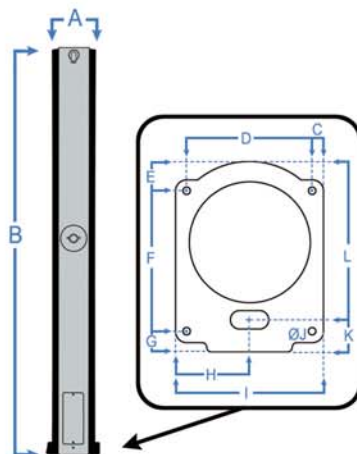
timed tap



connection, input tap and antiparticle filter

Characteristics

- Net connection 1/2" male thread (AISI 316).
- Maximum nominal pressure 16 Bar.
- Connection, input tap and antiparticle filter located behind the front panel.
- Timed tap 20 seconds tight.
- Adjustable thermostatic mixer with temperature selector through the front panel side $\pm 1^{\circ}\text{C}$ degree centigrade variation.
- Anti-vandal shower head with flow limiter.
- Solar collector made of stainless steel (AISI 316) 115 litres capacity.
- Stainless steel (AISI 316) front panel.
- Fixing by screws which do not need tacs included.
- Installation and maintenance instructions manual inside the packaging.



WEIGHT AND DIMENSIONS

A (mm)	254
B (mm)	2.350
C (mm)	23,50
D (mm)	262,99
E (mm)	62,26
F (mm)	294,74
G (mm)	43
H (mm)	155
I (mm)	310
ØJ (mm)	14
K (mm)	67
L (mm)	400
Weight(Kg)	49